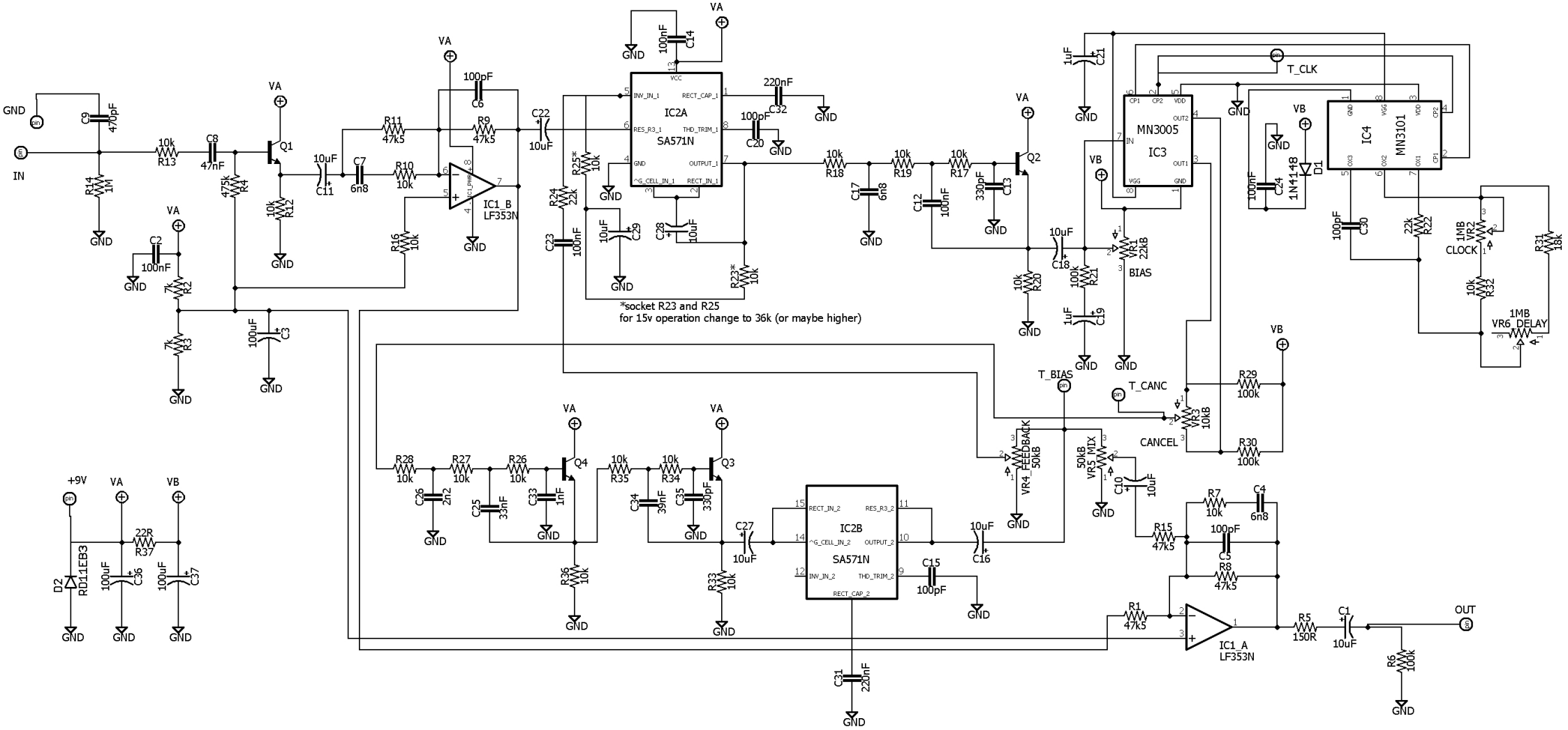


Acqua Vitae

(MN3005 Analog Delay based on
Way Huge Aquapuss / Boss DM-2)

last update 11.03.2020



Part#	Value	Type	Part#	Value	Type
C3	100u	Electrolytic	R18	10K	resistor
C36	100u	Electrolytic	R19	10K	resistor
C37	100u	Electrolytic	R20	10K	resistor
C1	10u	Electrolytic	R23	10K	resistor
C10	10u	Electrolytic	R25	10K	resistor
C11	10u	Electrolytic	R26	10K	resistor
C16	10u	Electrolytic	R27	10K	resistor
C18	10u	Electrolytic	R28	10K	resistor
C22	10u	Electrolytic	R32	10K	resistor
C27	10u	Electrolytic	R33	10K	resistor
C28	10u	Electrolytic	R34	10K	resistor
C29	10u	Electrolytic	R35	10K	resistor
C19	1u	Electrolytic	R36	10K	resistor
C21	1u	Electrolytic	R5	150R	resistor
C2	100n	NP	R31	18K	resistor
C12	100n	NP	R14	1M	resistor
C14	100n	NP	R22	22K	resistor
C23	100n	NP	R24	22K	resistor socket!
C24	100n	NP	R37	22R	resistor
C5	100p	NP	R4	475K	resistor
C6	100p	NP	R1	47K5	resistor
C15	100p	NP	R8	47K5	resistor
C20	100p	NP	R9	47K5	resistor
C30	100p	NP	R11	47K5	resistor
C33	1n	NP	R15	47K5	resistor
C31	220n	NP	IC1	LF353N	IC
C32	220n	NP	IC2	SA571N	IC
C26	2n2	NP	IC3	MN3005	IC
C13	330p	NP	IC4	MN3101	IC
C35	330p	NP	Q1	MPSA18	NPN
C25	33n	NP	Q2	MPSA18	NPN
C34	39n	NP	Q3	MPSA18	NPN
C9	470p	NP	Q4	MPSA18	NPN
C8	47n	NP	VR1_Bias	22KB	Trimmer
C4	6n8	NP	VR2_Clock	1MB	Trimmer
C7	6n8	NP	VR3_Cancel	10KB	Trimmer
C17	6n8	NP	VR4_Feedback	50KB	24mm PCB
R6	100K	resistor	VR5_Mix	50KB	24mm PCB
R21	100K	resistor	VR6_Delay	1MB	24mm PCB
R29	100K	resistor	D1	1N4148	diode
R30	100K	resistor	D2	11V 0.5W	zener diode
R2	10K	resistor			
R3	10K	resistor			
R7	10K	resistor			
R10	10K	resistor			
R12	10K	resistor			
R13	10K	resistor			
R16	10K	resistor			

dual delay board

VR7_Bias 2	22KB	Trimmer
VR8_Cancel 2	10KB	Trimmer
R1	100K	resistor
R2	100K	resistor
R3	100K	resistor
C1	1uF	electrolytic
C2	1uF	NP